



PRODUCT ADVANTAGES

- Compact glasswasher: with an installation height of only 705 mm ideal for narrow places or with integrated reverse osmosis and an installation height of 820 mm ideal for undercounter installation.
- VISIOTRONIC-TOUCH control: colour touchscreen (displays text and graphic) in conjunction with single-button control and remaining cycle time indication.
- WASHSMART APP: controlling your warewash operation with smart technology: status and messages, usage and operating costs, hygiene, service and consumables order
- VAPOSTOP: prevents vapour to escape from machine when door is opened
- PERFECT drying manager: assistance for better drying results
- 1.9 l rinsing: water consumption per cycle of only 1.9 l which results in a reduction of water, chemicals and energy consumption of 35 %
- CLIP-IN wash and rinse arms: wash and rinse arms can be removed with one hand and without any tools
- Intelligent data documentation: automatic recording of important operational data and consumptions and indication on the display
- USB-interface: comfortable download of operational data in form of a protocol via USB
- GENIUS-X² fine filter system: advanced filter system with pre-wash function reduces detergent consumption up to 35%
- Cold rinsing: the rinse can be switched from hot to cold water so that you get cooler glasses without any loss of time
- Intensive programme: intensive rinse cycle to wash glasses with critical design with raised fresh-water amount
- Interlocked strainer: prevents operation without tank strainer
- Optional refill signal: monitors contents of external as well as integrated chemical containers
- Hygiene programme: for removal of calcium carbonate and other deposits from wash chamber
- Thermolabel 71 °C: default temperatures setting acc. European DIN can be switched by operator to a higher thermolabile setting

TECHNICAL DATA

Cycle times (*)	75 / 120 sec. and special cycles
Water consumption	1,9 l/rack
Tank capacity	8 l
Tank heating	2,4 kW
Power supply	400 / 50 / 3N (230 / 50 / 1)
Booster loading	
Standard	4,2 kW
Alternative	2,8 kW
Total loading	
Standard	4,6 kW 3 x 13 A
Alternative	3,2 kW 15A
Wash pump	0,32 kW
Rack size	400 x 400 mm
Loading height	315 mm
Noise level	62 dB (A)
Weight (gross / net)	64 / 58 kg

*Thermostop guarantees required temperatures with cold water and / or 230 V connection, the actual cycle times extend accordingly.

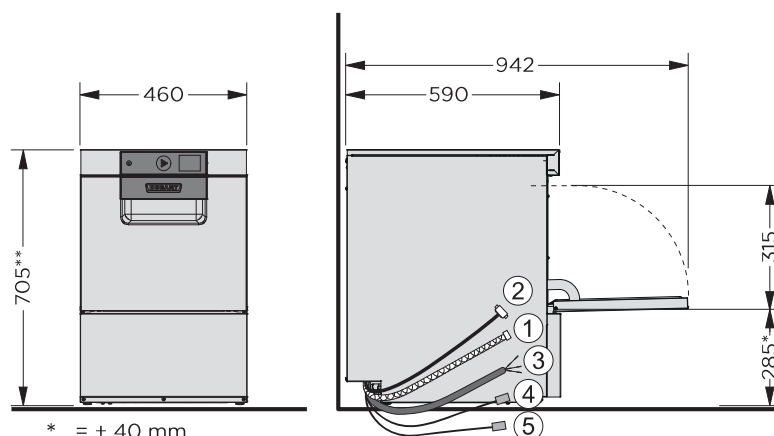
For machine protection the water hardness should not exceed 3°dH, if higher we recommend using an integrated water softener or an external water softener of the product line HYDROLINE PROTECT.

To avoid spots and streaks on the wash ware, we recommend the usage of a demineralisation cartridge (HYDROLINE STAR / STAR EXTRA) or a reverse osmosis system HYDROLINE PURE.

CONNECTIONS

① Drain hose	2,000 mm ID20/ OD25
② Supply hose	2,000 mm R 3/4"
Required flow rate	5 l/min
Flow pressure	0,5 (0,8 with softener) - 10 bar
Max. supply water temperature	60 °C
③ Power cord	2,000 mm
Supply hose for	
④ Detergent	2,500 mm
⑤ Rinse aid	2,500 mm

DIMENSIONAL DRAWING



* = + 40 mm

** = 820 mm with integrated osmosis

